

Aeris Muvman Industry



Sit down. Stand up. Do both at once.

Many benefits. Simply good.

Robust, washable and ergonomic.

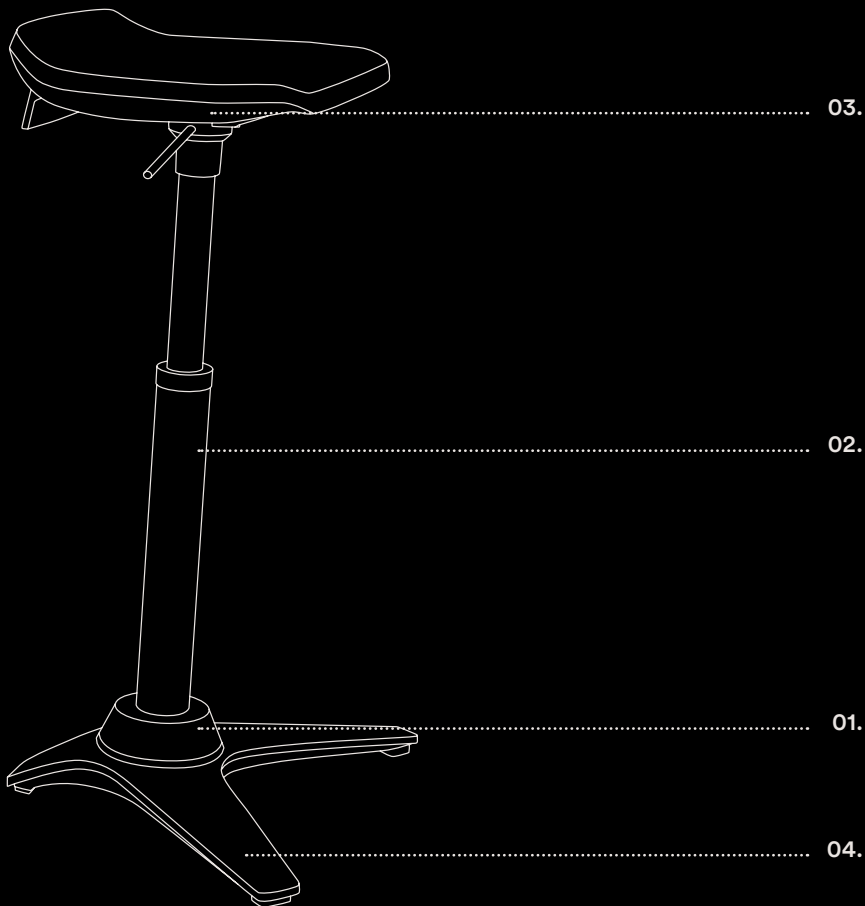
Active sit-to-stand chair specially designed for use in production and assembly environments, laboratories etc. Not only is the chair extremely robust, it can also be used in cleanrooms and is conductive (ESD version).

Good health relies on good posture.

The Aeris Muvman's flexible central column promotes constant micro movements to help keep the intervertebral discs supple. The chair's pivotal joint being so close to the floor ensures you remain in an upright position relative to the work surface. Supported this way, you can lean comfortably and safely in all directions.

Everybody welcome.

No other standing chair allows such a wide variety of height settings. Whatever your body size and whatever the height of the surface you are working at, sitting and standing positions can be adjusted to suit you individually. And thanks to its lightweight design, the chair can be easily moved around the office.



- 01. **Muvzone - the multidimensional movement element in the baseplate:** Provides maximum sideways movement, extends your reach and ensures an optimum sitting posture with respect to the working surface.
- 02. **Tilted centre column with inverted rotation function:** Relieves the intervertebral discs and encourages an upright posture with respect to the working surface.
- 03. **Flexible and robust seat:** The shape of the seat encourages an upright posture and the flexzone prevents pressure points at seat edges.
- 04. **Stable three-axis base:** The stand ensures extreme tilt resistance and stability.

Setting options:

Seat height (gas spring)

Technical Data:

Product weight:	5.7 kg Version High: 5.9 kg
Base:	Depth: 35.5 cm, width: 45.5 cm, die-cast aluminium, powder coated, with universal glides (ESD model: conductive glides)
max.user weight:	120 kg
Seat height:	51 – 84 cm Version High: 60 – 93 cm
Seat:	Seat support: integrated black foam, Depth: 30 cm, width: 33 cm

Awards and Certifications:

